

LéPRESSO



LePresso

**Insulated Tumbler
Hot & Cold Drinks 450ml**

SKU: LPCM450



Table of Contents

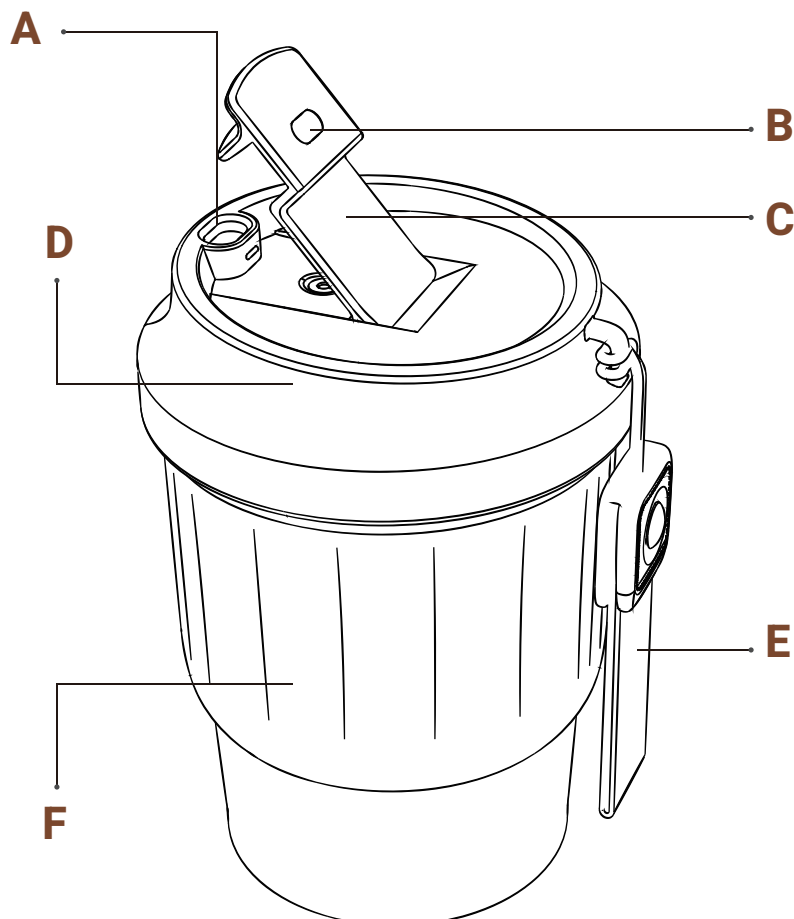
Features	2
Product Overview	2
Specifications	3
Compliance Standards	4
Cautions	4
Warranty	5
Contact Us	5

Before using the product, please carefully read this User Manual to guarantee correct usage and keep it secure for future reference.

Features

1. The cup has a total volume of 450 milliliters, ideal for a satisfying serving of your favorite beverage.
2. Engineered to maintain the cold temperature of your drinks for up to 10 hours, ensuring refreshment throughout the day.
3. Designed to keep your beverages warm for up to 8 hours, perfect for enjoying hot drinks on the go.
4. The inner layer is made from SUS 316 stainless steel known for its corrosion resistance, the outer layer from SUS 304 stainless steel which provides durability, and components like the lid are made from food-grade polypropylene ensuring safety and quality.

Product Overview



A. Direct Drinking Spout: Provides a convenient way to drink directly from the cup without removing the lid, enhancing the user's on-the-go experience.

B. Rubber Plug: Ensures a secure seal to prevent leaks and maintain the temperature of the beverage inside the cup.

C. Upper Lid: Acts as an additional covering that can be opened or closed for easy access to the drinking spout, facilitating both sipping and refilling.

D. Cup Lid: Fits snugly on top of the cup body, equipped with the direct drinking spout and rubber plug to offer a practical and leak-proof design.

E. Handle: Ergonomically designed for comfortable and sturdy grip, making the cup easy to carry.

F. Cup Body: The main container of the cup, designed to hold the beverage, made from durable materials to preserve drink temperature and quality.

Specifications

SKU	LPCM450
Product Capacity	450ml
Product Size	96.6×98×141.3mm
Weight	400gr
Inner Body Material	SUS316 stainless steel
External Body Material	SUS304 stainless steel
Cup Lid Material	Food grade polypropylene (PP)
Waterproof Ring Material	Food grade silica gel
Standard	GB/T29606-2013, GB 4806.9-2016, GB 4806.7-2016, GB 4806.11-2016

Compliance Standards

Component Names	Materials	Standard
Inner Bladder	316 Stainless Steel	GB 4806.9-2016
External	304 Stainless Steel	
Cup Lid	Food Grade PP	GB 4806.7-2016
Upper Lid	Food Grade PP	
Rubber Plug	Food Grade Silica Gel	GB 4806.11-2016

Cautions

Please read this notice carefully before using the product.

- 1. Do not store carbonated beverages in the cup for extended periods.**
- 2. This cup is not suitable for long-term preservation of dairy products or baby food.**
- 3. Avoid using a straw to drink hot liquids from the cup to prevent burns.**
- 4. Always check the temperature of the drink in the cup to avoid scalding.**
- 5. Do not use microwaves or other heating equipment to heat the product.**
- 6. Avoid heating food and beverages in this product.**
- 7. Keep this product out of reach of infants and young children to prevent burns.**
- 8. Children should use this product only under adult supervision.**

Warranty

Products that you buy directly from our **LePresso** website or shop come with a 24-month warranty.

The 24-month warranty applies to products purchased directly from our **LePresso** website or store. If **LePresso** products are bought from any of our verified retailers, then the product is eligible for only a 12-month warranty. To extend your product's warranty, visit our website <https://www.lepresso.com/warranty> and fill in your details in the provided form along with an uploaded picture of the product to process your request. Once approved, you will receive a confirmation email of the extended product warranty. Upload the required information within 48 hours of purchase to be eligible for a 24-month warranty period.

For more info, please check:

<https://www.lepresso.com/warranty>

Contact Us

If you have any questions or concerns about our Shipping and Returns Policy, please contact us at: info@lepresso.com

Website: <https://www.lepresso.com/>

Instagram: [lepresso_official](#)