

M LEVELO



Levelo

Skyliner Universal & iPad Stylus Pen

SKU: LVLSUISDG

Table of Contents

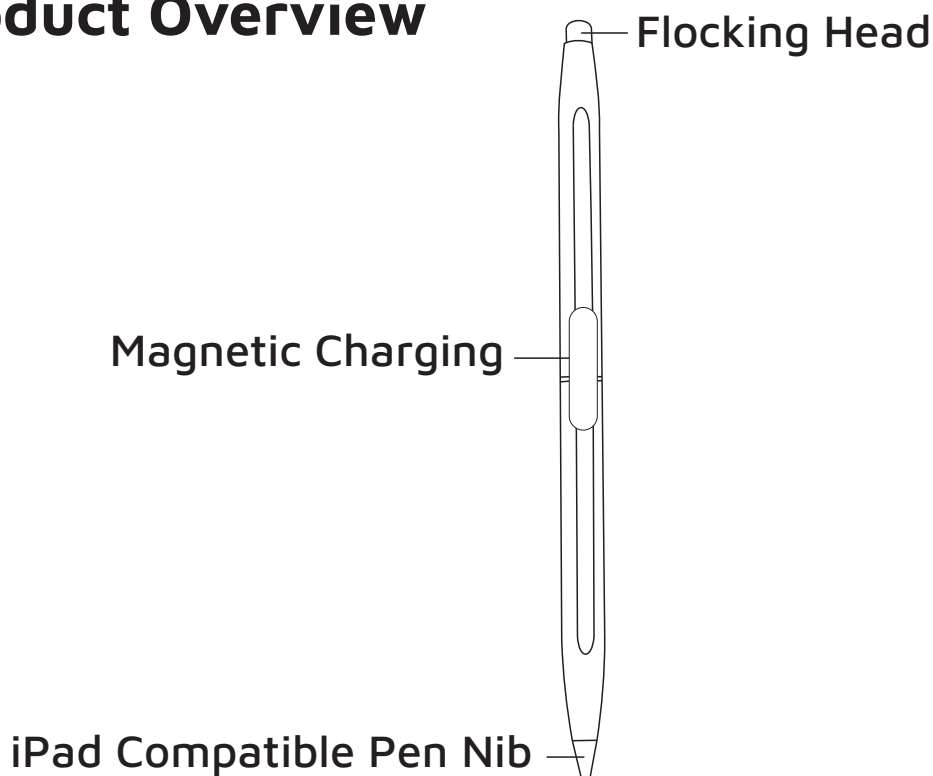
Features	2
Product Overview	2
Dimensions	3
Usage Instructions	3
A. Powering the Device	3
B. Battery Level Indicator	4
Bluetooth Connection	4
Changing the Nib	4
Multifunctional Button	5
Compatibility	5
Specifications	5
Warranty	6
Contact Us	6

Before installing and using the product, please carefully read this User Manual to guarantee correct usage and keep it secure for future reference.

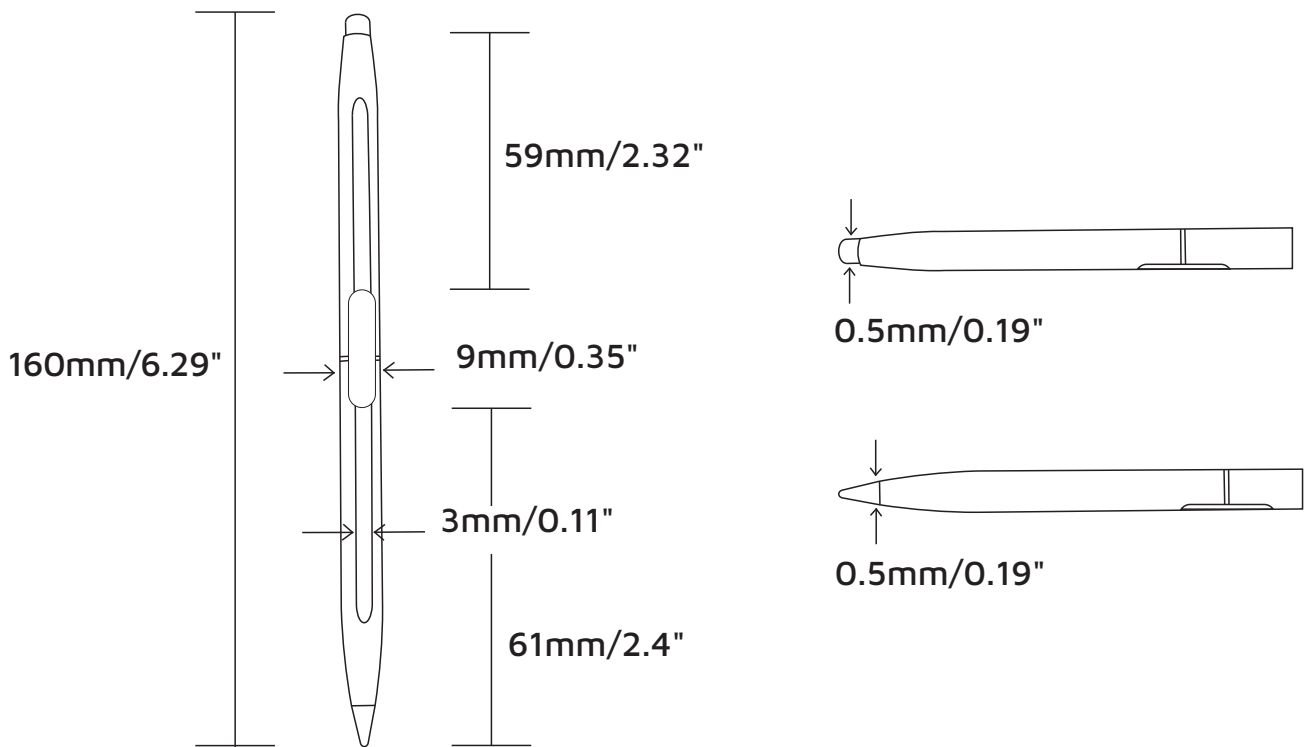
Features

- 1. Palm Rejection Feature:** Prevents unintended marks or commands by detecting and responding only to the precise, point-specific contact of the pen, effectively ignoring accidental palm touches.
- 2. Constructed from high-quality aluminum alloy,** this tube is durable and resistant to impacts and scratches, offering superior performance over softer materials.
- 3. The pen remains powered and ready for use for up to six months** without needing a recharge or battery replacement when not actively in use.
- 4. The pen can operate continuously for eight hours** on a full charge before requiring recharging.
- 5. Automatically transitions into a low-power sleep mode** if not used for 30 minutes.
- 6. Supports magnetic charging** for a faster and more convenient way to power up.
- 7. Facilitates easy installation and removal of pen nibs.**

Product Overview



Dimensions

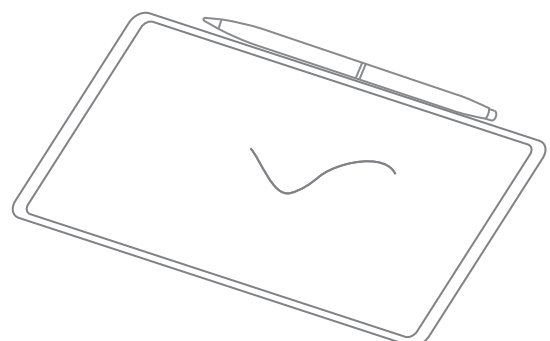


Usage Instructions

A. Powering the Device

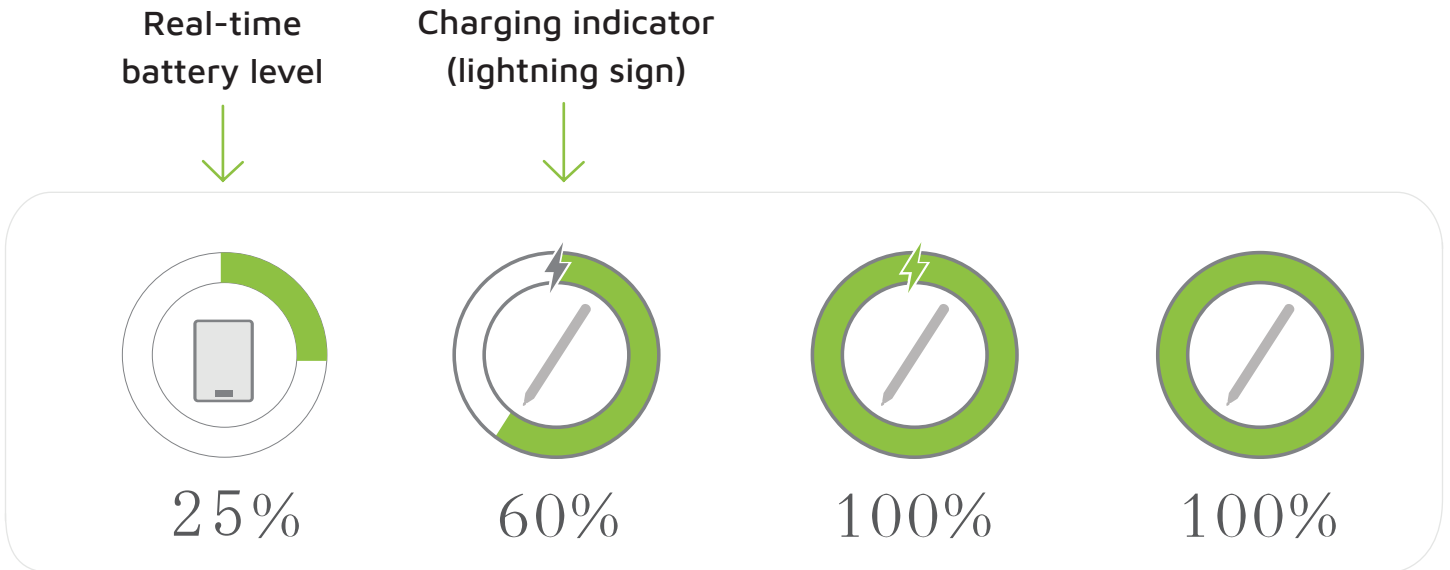
1. Activate the stylus by attaching it to the iPad, which will initiate wireless charging.
2. Once attached, the stylus will automatically transition to standby mode if it remains stationary for 5 minutes and will proceed to sleep mode after 30 minutes of inactivity.
3. The Bluetooth connection will automatically disconnect once the stylus enters sleep mode.
4. To reactivate, reattach the stylus to the iPad using the magnetic attachment, then detach it to enter writing mode, which should occur within approximately 2 seconds.

Note: For optimal performance, it is advisable to restart the iPad when utilizing the stylus for the first time.



B. Battery Level Indicator

After establishing a Bluetooth connection, you can monitor the real-time battery level of the pencil on your iPad. During charging, the pencil displays a lightning bolt icon on the iPad.



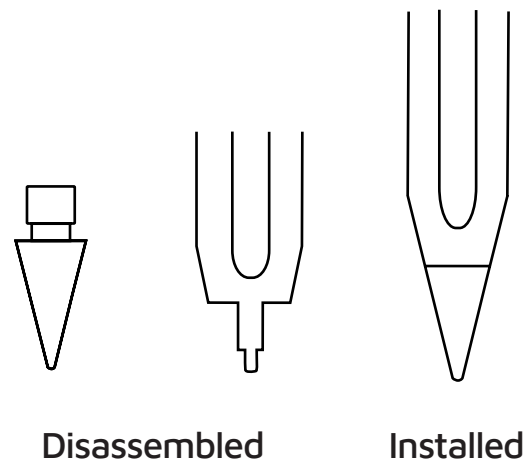
Bluetooth Connection

1. Activate the Bluetooth connection on your iPad.
2. Ensure that the Stylus Pen is fully charged.
3. Search for and select the device named "SkyLiner" from the list of available Bluetooth devices.
4. The pen is now connected to the iPad and is ready for use.

Note: If the iPad is not used for 5 minutes after connection, it will enter standby mode and will switch to sleep mode if inactive for 30 minutes.

Changing the Nib

The stylus features replaceable nibs, eliminating concerns about pen tip wear; simply rotate the nib to replace it.

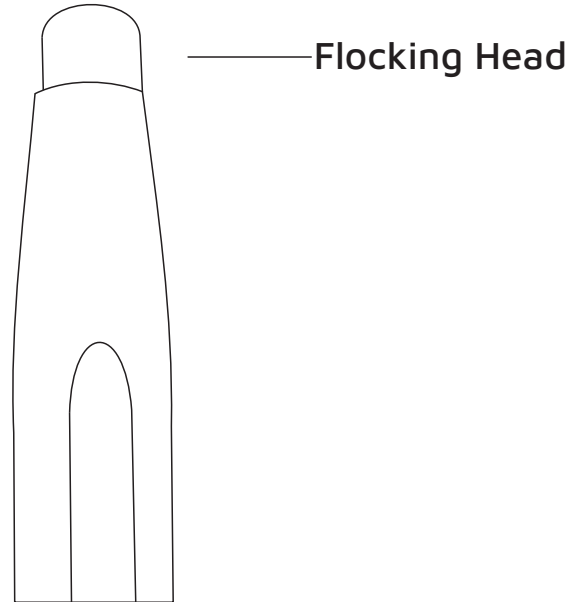


- Two Extra Nibs

Includes two additional replacement nibs, allowing for easy maintenance and extended use of the stylus.

Multi-functional Button

The stylus pen is equipped with a multi-functional button on its top, which is covered with a soft Nano material, enabling seamless operation across a wide array of capacitive touchscreen devices including mobile phones, tablets, iPads, learning devices, industrial systems, and teller machines.



Compatibility

1. iPad Pro 13" and 11" (7th to 4rd generations).

Note: Does not support iPad Pro 2024 Wireless charging.

2. iPad Air 13" and 10.9/"11" (6th to 5th generations).

3. iPad Mini (6th generations).

4. Universal Mobile Phones and Tablets.

Specifications

Product Name	Levelo Skyliner Universal & iPad Stylus Pen
SKU	LVLSUISDG
Charging Method	Wireless Charging
Charging Time	Less than 1 hour
Bluetooth Name	SkyLiner

Battery	90mAh Li-ion
Standby Mode	Activated after 5min
Sleep Mode	Activated after 30min
Standby Time	Up To 6 Months of Full Charge
Product Size	160×9mm
NW	14G
Material	Aluminum Alloy

Warranty

Products procured directly from the **Levelo** website or physical store comes with a 24-month warranty. **Levelo** products purchased from any of our authorized dealers are guaranteed with a one-year warranty. If you wish to extend this warranty, you'll need to go to our website at <https://levelobrand.com/warranty> and fill out the necessary form, making sure to include your personal information and a photo of the product. After your request has been evaluated and accepted, we'll send you an email notification to affirm the extension of your product's warranty.

For more info, please check:

Website: <https://www.levelobrand.com/warranty>

Contact Us

If you have any questions about this Privacy Policy, please contact us at: Info@levelobrand.com

Website: <https://www.levelobrand.com/>

Email: Info@levelobrand.com

Instagram: [levelobrand](#)

Facebook: [levelobrand](#)