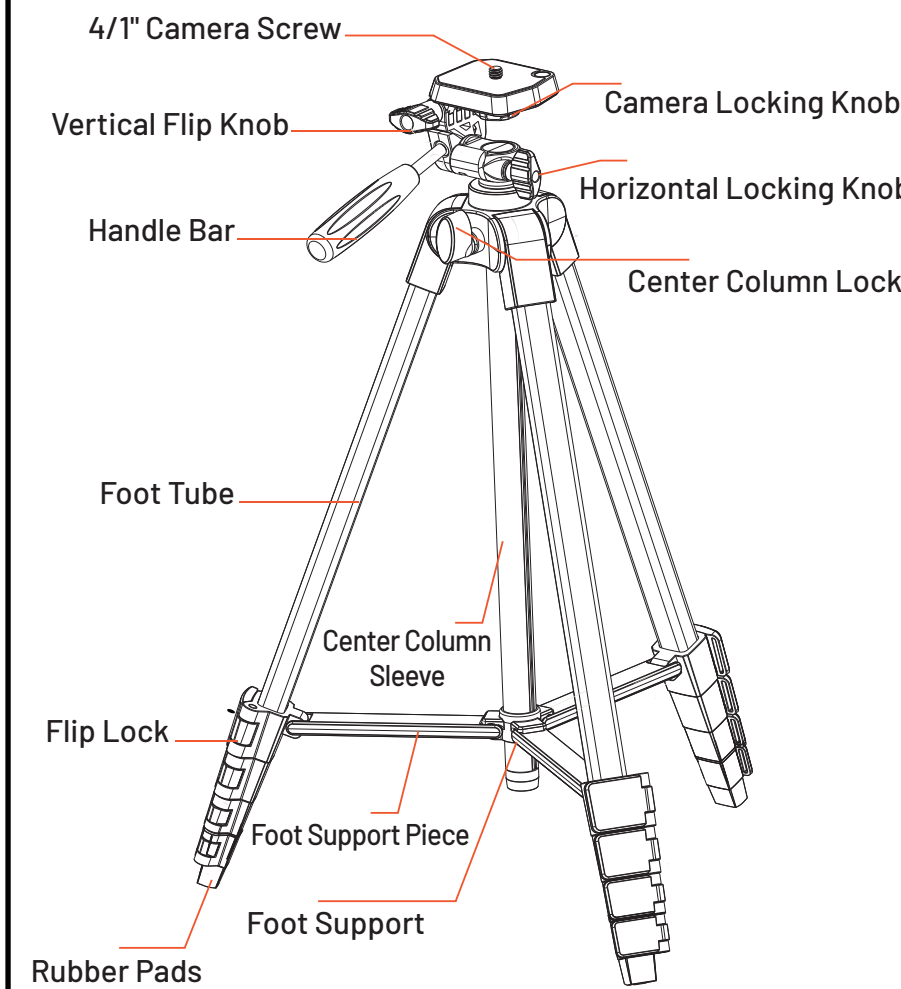


porodo

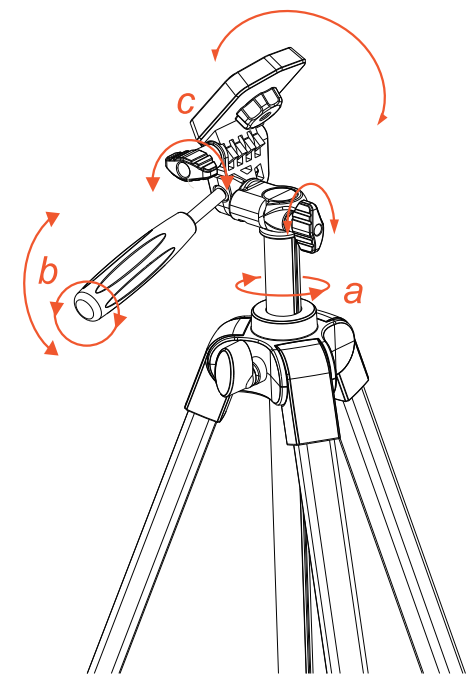


**Aluminium Tripod**  
SKU:PD-TRPAL-BK

### Product Schematic Diagram



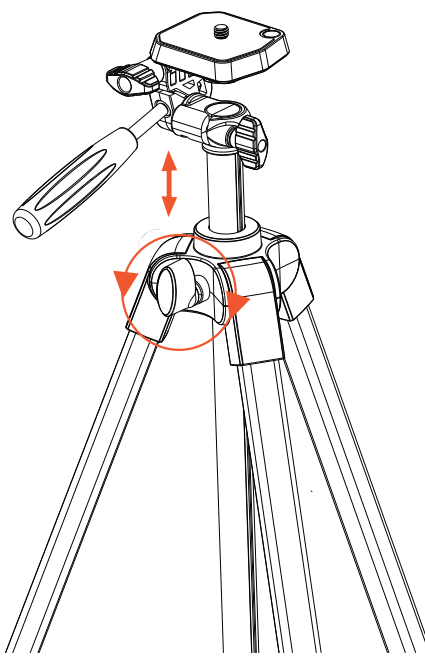
1



#### The panning, pitching and 90 degree shooting operation.

- a: Rotate the horizontal locking knob counterclockwise to loosen for smooth consistent panning, rotating oppositely to tighten it.
- b: Rotate the handle bar counterclockwise to loosen for smooth consistent tilting, rotating oppositely to tighten the tilt knob.
- c: Rotate the vertical flip knob counterclockwise to adjust the angle of the loading plate, flip up to 90 degrees. Rotate oppositely to tighten it.

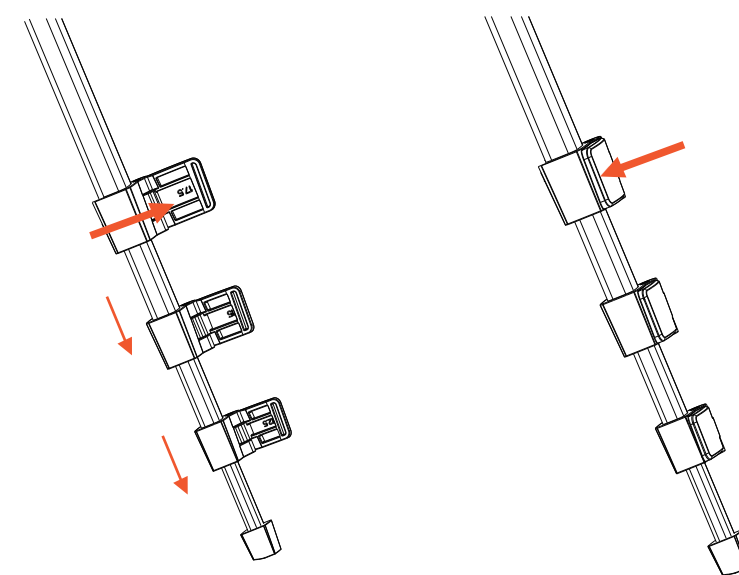
2



#### Raising and Lowering the Center Column.

To raise or lower the center column, turn the center locking knob counterclockwise and set the column to the desired position. While holding the column in position, turn the column locking knob clockwise to secure the column in place. Don't overtighten the center column lock, as this could damage the threads.

3



#### Extend and fold the leg.

Each Leg section can be adjusted to the desired length by opening the Flip Lock Lever, so the Leg is free to slide in or out. Once the desired length is achieved, snap the Flip Lock Lever closed so that the Leg Section is securely locked. Repeat this step for each Leg and each Section until the Tripod is set to the desired height.

4

### Warnings

- Do not exceed the tripod's maximum load capacity.
- Ensure the head is locked.
- Do not operate this tripod when the temperature is below -20°C or above 70°C. It is not recommended to operate in saltwater.
- Do not put this tripod in sunlight or lean it against the glass of a car for a long time.
- Do not leave this tripod unattended in public places; please be careful when use in dangerous place.
- Remove the camera from the ball head during setup or transport.
- It is not necessary to equip lubricant. Please use standard lubricant or grease when necessary.
- For your safety, keep it out of power supply.

5

### Warranty

#### Exclusion

- Porodo doesn't cover any damage caused by the normal use of the product over time during the warranty period.
- The Porodo warranty doesn't include coverage for improper use, deliberate damage, accidents, theft, carelessness, or any repairs done by unauthorized service centers.
- The power needs for each product are clearly stated on their packages. Please check these requirements against those of your country before buying. Porodo won't be responsible for any problems related to this.

For more info, please check:  
[porodo.net/warranty](http://porodo.net/warranty)

#### Contact Us

If you have any questions about this Privacy Policy, please contact us at [info@porodo.net](mailto:info@porodo.net)  
**Website:** [porodo.net](http://porodo.net)  
**Service Support:** [support@porodo.net](mailto:support@porodo.net)  
**Instagram:** [porodo](https://www.instagram.com/porodo)