



Powerology Universal Adapter 140W X2
Type C port and X2 USB A 15W port

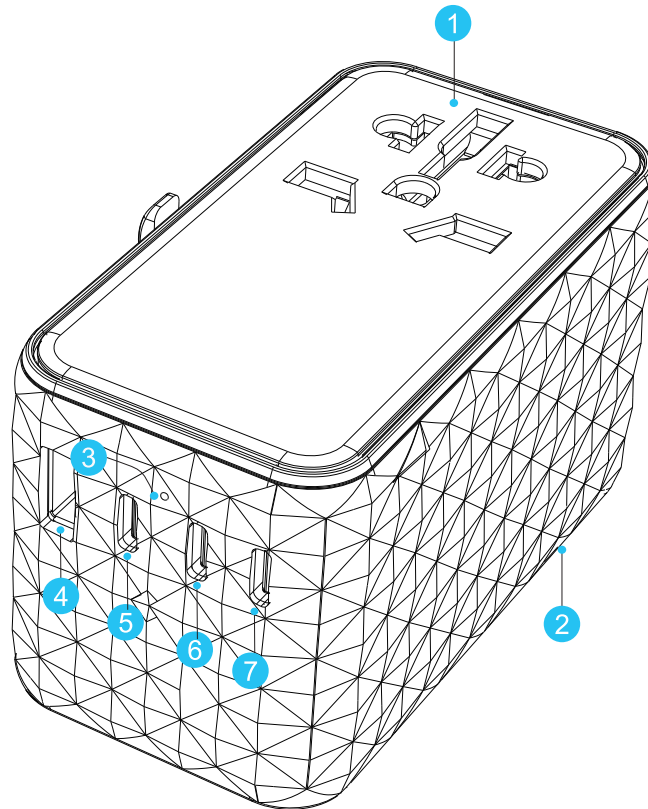
SKU: P140WPD

Table of Contents

Schematic View -----	2
Specifications -----	3
Compatible Outlets -----	4
2-Pole Unearthed Devices -----	4
USB Devices -----	5
Instruction for Use -----	5
1. Using USA plugs -----	6
2. Using AUS plug -----	6
3. Using UK plug -----	6
4. Using EU plug -----	7
Replacing the Fuse -----	7
Caution -----	8
Environmental Notice -----	8
Global Electric Plug Guide -----	9
Warranty -----	13
Contact Us -----	13

Before installing and using the product, please carefully read this User Manual to guarantee correct usage and keep it secure for future reference.

Schematic View



1. Multi-socket

2. US/AU/UK/EU plugs

3. LED indicator

A. Solid light:

The adapter operates normally.

B. LED light is off:

B.1 Possible cause could be that the device is subjected to overload. To resolve this issue unplug one or more devices connected to the adapter and re-check the indicator light status.

B.2 The reason could be that the electrical fuse is burned out. Check the fuse is working correctly.

4. USB-A1 port

5. USB-C3 port

6. USB-C2 port

7. USB-C1 port

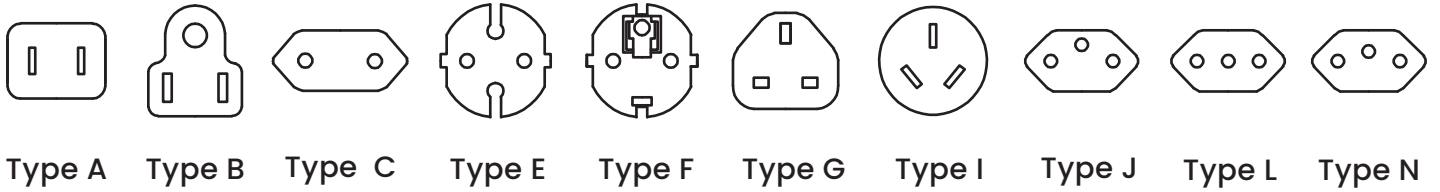


Specifications

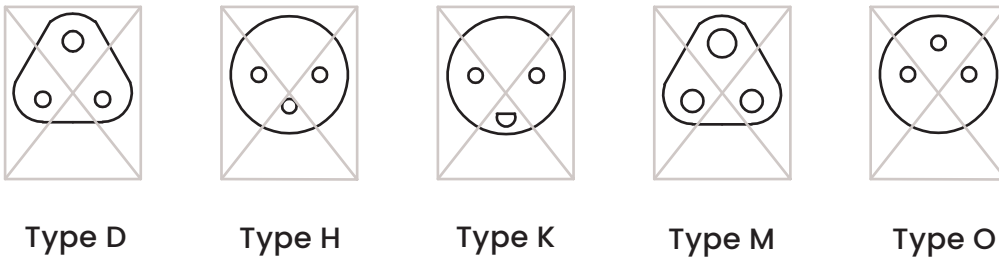
Model	P140WPD
AC Input	100-250V AC, 10A (Max.), 2500W (Max.)
Single Port Output Mode	<p>C1 :140W (Max.)</p> <p>C2 :140W (Max.)</p> <p>C3:180W (Max.)</p> <p>A1 :18W (Max.)</p>
Combined Output Mode	<p>C1+C2:100W+35W (Max.)</p> <p>C2+C3:100W+18W (Max.)</p> <p>C1+A1:100W+18W (Max.)</p> <p>C2+A1:100W+18W (Max.)</p> <p>C3+A1:15W (Max.)</p> <p>C1+C2+C3:65W+35W+8W (Max.)</p> <p>C1+C2+A1:65W+35W+18W (Max.)</p> <p>C1+C2+C3+A1:65W+35W+15W (C3+A1) (Max.)</p>
Total DC Output	140W (Max.)
Support	PD 3.1, QC4+, FCP, AFC, PPS, BC1-2 and more
Size	92.7*55*53.37mm

Compatible Outlets

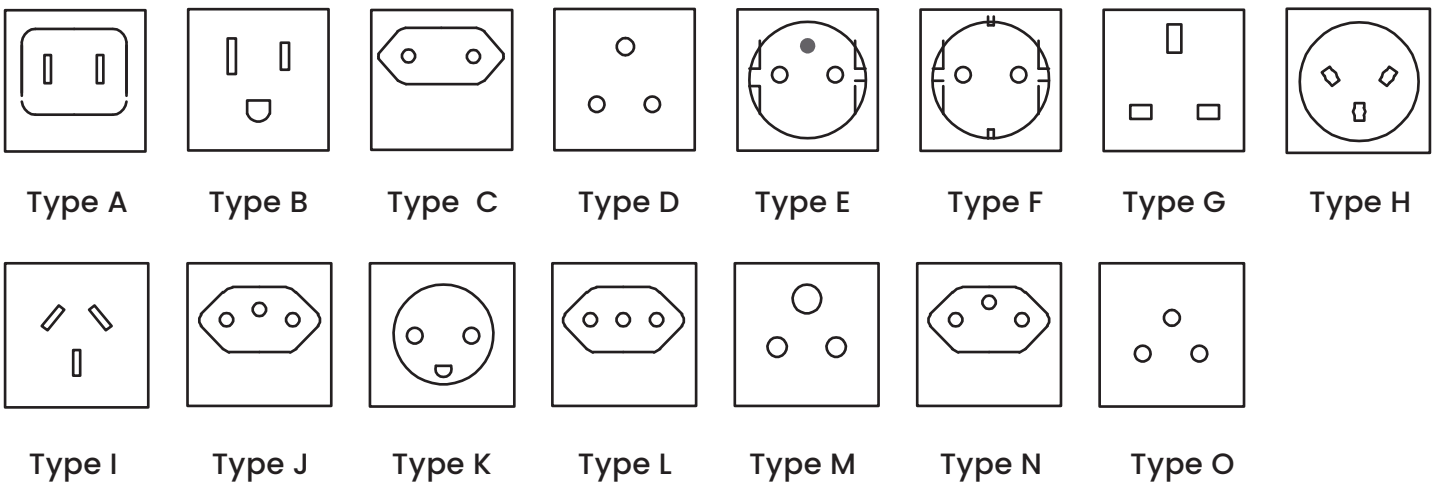
1 This Adapter can accept Type A, B, C, E, F, G, I, J, L, N plugs.



Please notice that Type D, H, K, M, and O plugs are NOT accepted.



2 The Adapter can be plugged into Type A, B, C, D, E, F, G, I, J, K, L, M, N, and O plugs.



2-Pole Unearthed Devices

The product is suitable for use with most electronic devices up to 2500W at 250V and 1000W at 100V. It can be used with a multitude of appliances such as: Laptops, Small travel hair dryers, Travel irons, Electric fans, Table lamps, Electric razors, etc.

Please check the safety data sheet or data plate on the device to find this information before plugging it in.



Laptops



Small Travel
Hair Dryer



Travel Iron



Electric Fan



Table Lamp



Electric Razors

USB Devices

Camera, Smartphone, Tablet, Portable Game Console, Bluetooth Speaker, Power Bank, etc.



Camera



Smartphones



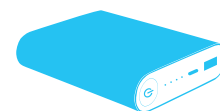
Tablets



Portable Game Console



Headsets



Power Banks

Instructions for Use

Features

1. Equipped with built-in multi-national plugs to fit a variety of outlets in different countries.
2. Incorporates a safety function switch that ensures only one plug is energized at a time.

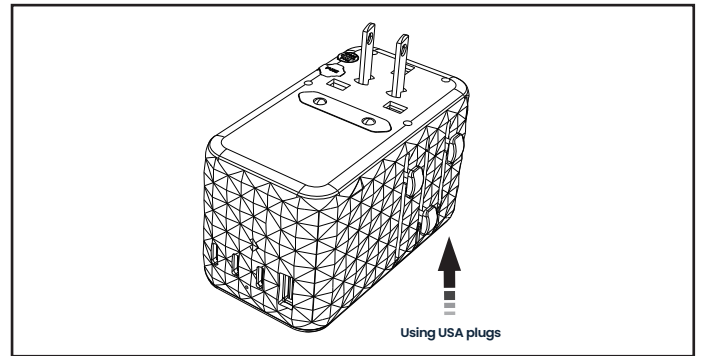
Attentions

1. Ensure that the button is reset after the plug is pushed out and retracted back into the bottom. If the button does not reset, it indicates that the plug has not been secured properly, which can impede normal operation.

2. Only one plug type can be used each time by sliding the knob selector; this mechanism automatically locks the unused plug-pins.

1. Using USA plugs

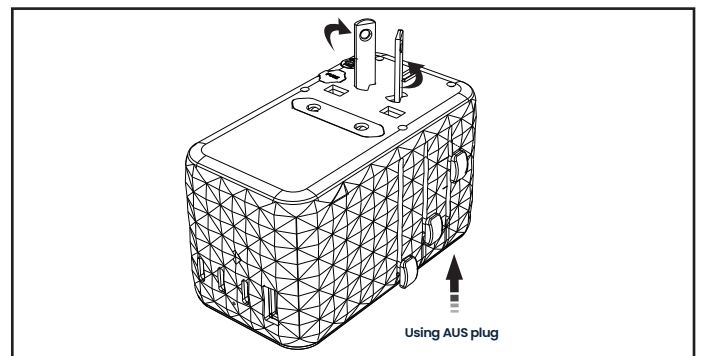
Gently press the button and slide it downwards to fully extend the USA plug. Ensure the contact blades are aligned in the parallel position.



To retract the plug: press and hold the "USA" button to disengage it, then continue to pull upwards until the plug is fully retracted. Upon releasing the button, it will reset and secure the plug in place.

2. Using AUS plug

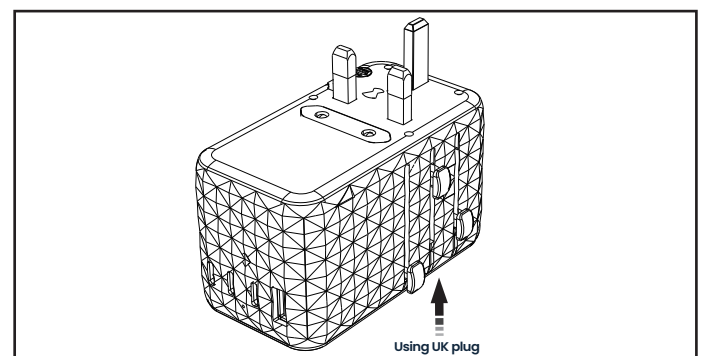
Gently press the button and slide it down. Ensure the contact blades are positioned parallel to each other.



To retract the plug: firmly press and hold the "AUS" button to release it, then continue pulling upwards until the plug is fully retracted to the top. Upon releasing the button, it will automatically reset and secure the plug.

3. Using UK plug

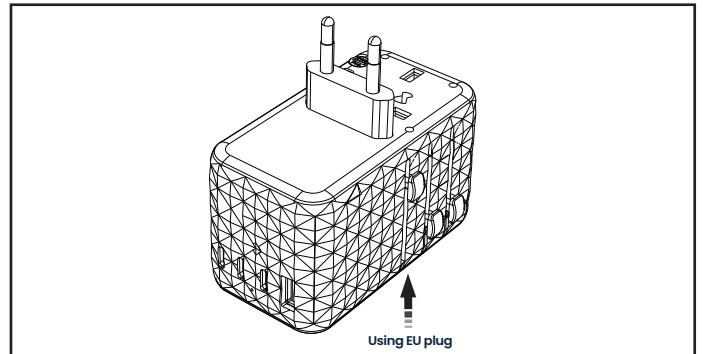
Gently press the button and slide it downwards. Extract the insulated ground pin from its housing.



To retract the plug: press and hold the "UK" button to release it, then continue to pull upwards until the plug is completely retracted to the top. After releasing the button, it will reset and secure the plug.

4. Using EU plug

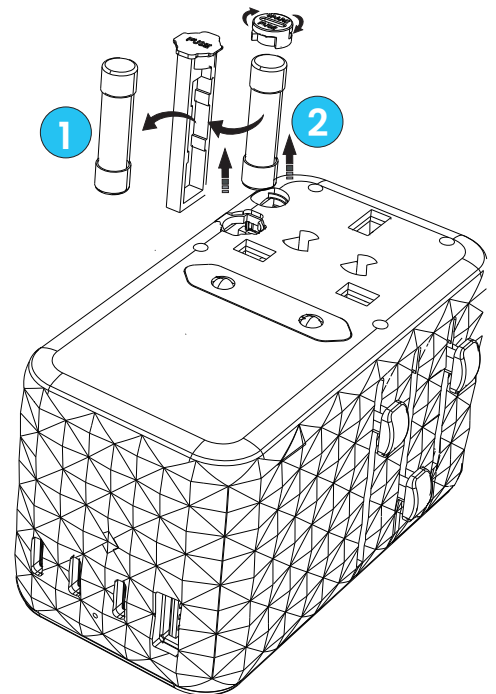
Lightly press the button and slide down. Ensure that the contact blades are aligned in a parallel position.



To retract the plug: hold down the "EU" button to release, then continue pulling upward until the plug is fully retracted. Once released, the button will automatically reset and secure the plug.

Replacing the Fuse

1. Remove the first fuse ① .
2. Extract the second fuse ② , and place the ② in the original position of the first fuse ① to enable the adapter to function again.
3. If necessary, you may replace it with a new fuse that meets the following specifications: 250VAC 10A, size 6.3 * 25.4 mm.



Notes:

1. Ensure all devices are disconnected before replacing the fuse.

2. Check to see if any water has leaked from the connected equipment.
3. The device should not be wet or damp.

Caution

1. Always unplug the Adapter from the outlet when it's not in use.
2. Please review these instructions thoroughly before use. This product does not convert voltage (AC-AC); to prevent potential damage to your device or other safety risks, ensure the power outlet has the correct voltage to operate your device before using this adapter.
3. For indoor use only.
4. Improper use may result in electrical shock.
5. The USB cable length should not exceed 3 meters.
6. This travel adapter is designed for temporary use and should not be utilized as a permanent power solution.
7. Do not insert an adapter into another adapter without approval from the manufacturer.
8. This product lacks grounding and should only be used with unearthened or double insulated appliances.

Environmental Notice

1. Do not dispose of waste electrical products along with household waste.
2. Recycle these items at designated facilities where available.
3. Consult your local waste authority for recycling advice and regulations.





Global Electric Plug Guide

EU Plug

A Albania
Algeria
Angola
Argentina
Austria
Azores

B Balearic Islands
Bangladesh
Belgium
Bolivia
Bosnia
Brazil
Bulgaria
Burkina Faso
Burundi

C Cameroon
Canary Islands
Cape Verde
Central African Republic
Channel Islands
Chile
Comoros
Congo
Croatia
Cote d' Ivoire
Cyprus

D Denmark
Djibouti

E Egypt
El Salvador
Equatorial Guinea
Eritrea

F Faeroe Island
Finland
France

G Gabon
Germany
Gibraltar
Greece
Greenland
Guadeloupe
Guinea
Guinea-Bissau

H Hungary

I Iceland
India
Indonesia
Iran
Iraq
Israel
Italy

K Kazakhstan
Korea
Kuwait

L Laos
Lebanon
Lithuania
Luxembourg

M Macedonia
Madagascar
Madeira
Mali
Mali
Martinique
Mauritania
Mauritius
Monaco
Morocco
Mozambique
Myanmar

N Nepal
Netherlands
Niger
Norway

O Oman

P Pakistan
Paraguay
Peru
Philippines
Poland
Portugal

R Romania
Russia
Rwanda

S Senegal
Somalia
Spain
Sudan
Suriname
Sweden
Switzerland
Syria

T Thailand
Togo
Tunisia
Turkey

U Uruguay

U Vietnam

Z Zambia

AUS Plug

A American Samoa
Argentina
Australia

C China

E El Salvador

F Fiji

G Guatemala

K Kiribati

N Nauru
New Zealand

P Panama
Papua New Guinea

S St. Vincent

T Tajikistan
Tonga

U Uruguay

USA Plug

A American Samoa
Anguilla
Antilles
Aruba

B Bahamas
Bangladesh
Barbados
Bermuda
Bolivia
Brazil

C Cambodia
Canada
Cayman Islands
China
Colombia
Costa Rica
Cuba

E Ecuador
El Salvador

G Guam
Guatemala
Guyana

H Haiti
Honduras

J Japan
Jamaica

L Laos
Lebanon
Liberia

M Maldives
Mexico
Micronesia
Montserrat

N Netherlands
Nicaragua
Niger

O Okinawa

P Panama
Peru
Philippines
Puerto Rico

S St. Vincent
Saudi Arabia

T Tahiti
Taiwan
Thailand

U United States

V Venezuela

Vietnam

Virgin Islands (US & British)

Y Yemen

UK Plug

B Bahrain

Bangladesh

Belize

Botswana

Brunei

C Cameroon

Channel Islands

Cyprus

D Dominica

E El Salvador

E Gambia

Ghana

Gibraltar

Grenada

Guatemala

Guyana

H Hong Kong

H Iraq

Ireland

Isle of Man

J Jordan

K Kuwait

L Lebanon

M Macau

Malawi

Malaysia

Maldives

Malta

Mauritius

Myanmar

N Nigeria

O Oman

Q Qatar

S St. Lucia

St. Vincent

Saudi Arabia

Seychelles

Sierra Leone

Singapore

T Tanzania

U Uganda

United Arab Emirates

United Kingdom

V Vietnam

Y Yemen

Warranty

Products that you buy directly from our **Powerology** website or shop come with a 24-month warranty. The 24-month warranty applies to products purchased directly from our **Powerology** website or store. If **Powerology** products are bought from any of our verified retailers, then the product is eligible for only a 12-month warranty. To extend your product's warranty, visit our website <https://powerology.me/warranty> and fill in your details in the provided form along with an uploaded picture of the product to process your request. Once approved, you will receive a confirmation email of the extended product warranty. Upload the required information within 48 hours of purchase to be eligible for a 24-month warranty period.

For more info, please check:
<https://www.powerology.me/warranty>

Contact Us

If you have any questions about this Privacy Policy, please contact us at: <https://hey@powerology.me/>

Website: <https://www.powerology.me/>

Instagram: **Powerology.me**

Facebook: **Powerology**