



**Powerology**

**Round Qi2 Standard 15W iPh15**

**MagSafe Fast Charger**

**SKU: P15WM CPR**

# **Table of Contents**

<b>Features</b>	<b>2</b>
<b>Operating Guide</b>	<b>2</b>
<b>Schematic View</b>	<b>3</b>
<b>Specifications</b>	<b>3</b>
<b>Attention</b>	<b>4</b>
<b>Warranty</b>	<b>5</b>
<b>Contact Us</b>	<b>5</b>

Before installing and using the product, please carefully read this User Manual to guarantee correct usage and keep it secure for future reference.

## **Features**

- 1.** Strong magnets are integrated for easier one-handed operation.
- 2.** Features a smart semiconductor chilling plate and cooling fan. When wireless charging is initiated, the fan activates and the chilling plate cools both the wireless charging coil and the phone surface to enhance charging efficiency. The chilling plate automatically deactivates when the phone is removed.
- 3.** The RGB light completes three cycles and remains green.
- 4.** The fan's colorful lights transition smoothly; the lights turn off once the receiver is removed.
- 5.** The foreign object detection (FOD) function stops the charging and the phone will not charge if metal or magnetic objects are detected on the charging pad.
- 6.** Offers robust protection against over-voltage, over-current, overheating, and short circuits.

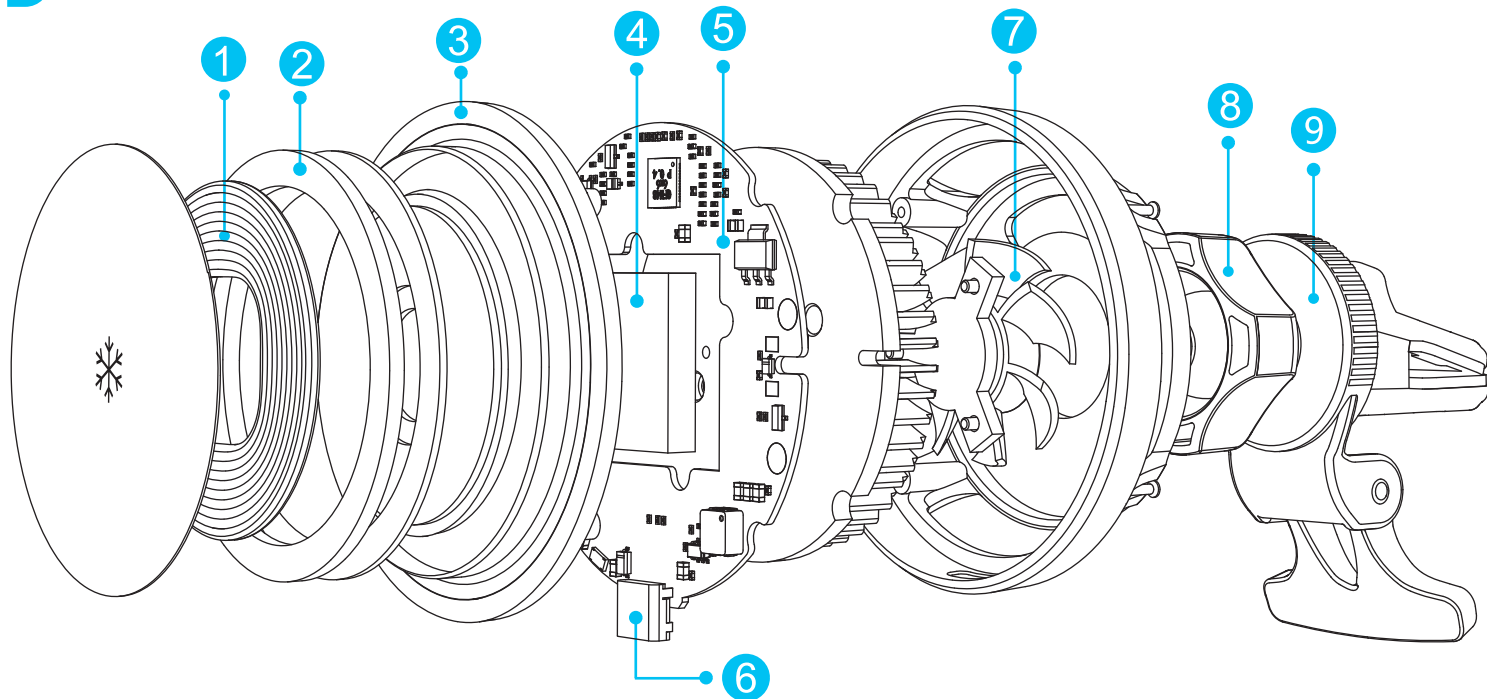
## **Operating Guide**

- 1.** Ensure the product is connected to power before use.
- 2.** Charging will stop if the current is excessively high or if a foreign object is detected. Do not attempt wireless charging under these conditions.
- 3.** Purchase a wireless receiver module or case separately if your phone does not support wireless charging (not included with this product).
- 4.** The device operates with a power input of 5V-12V. Upon placing

the phone on the charger, the chilling plate and fan activate. They will cease operation 30 seconds after the phone is removed.

**5.** Use a phone case less than 2mm thick for optimal cooling efficiency. Cases that are too thick may diminish the cooling effect.

## Schematic View



<b>1.</b> Charging Transmitter Coil	<b>4.</b> Electronic Refrigeration	<b>7.</b> Cooling Fan
<b>2.</b> Magnet	<b>5.</b> PCB	<b>8.</b> Knob
<b>3.</b> RGB Light	<b>6.</b> Type-C Charging Port	<b>9.</b> Vent Clip

## Specifications

Material	ABS+ Tempered Glass
Input	9V/3A, 5V/2.2A
Wireless Output	5W, 15W
Charging Distance	≤10mm
Dimensions	71.7×45mm

## Attention

- 1.** Please avoid applying excessive force or causing impacts to the product.
- 2.** Do not disassemble the product or expose it to fire or water while it is powered on, to prevent short circuits or leakage.
- 3.** Avoid using the product in environments with extreme temperatures, high humidity, or corrosive substances to protect against circuit damage.
- 4.** Refrain from placing items with magnetic strips or chips, such as ID cards or bank cards, on the charging pad as this may deactivate their magnetic features.
- 5.** Do not place metal objects, such as coins, on the charging pad while it is in use to avoid the risk of overheating and damage.

**Note:** This product is compatible with all Qi-standard wireless charging phones. Phones that do not support Qi-standard wireless charging will require an external receiver to utilize the wireless charging function.

## **Warranty**

Products that you buy directly from our **Powerology** website or shop come with a 24-month warranty.

The 24-month warranty applies to products purchased directly from our **Powerology** website or store. If **Powerology** products are bought from any of our verified retailers, then the product is eligible for only a 12-month warranty. To extend your product's warranty, visit our website <https://powerology.me/warranty> and fill in your details in the provided form along with an uploaded picture of the product to process your request. Once approved, you will receive a confirmation email of the extended product warranty. Upload the required information within 48 hours of purchase to be eligible for a 24-month warranty period.

For more info, please check:

<https://www.powerology.me/warranty>

## **Contact Us**

If you have any questions about this Privacy Policy, please contact us at: <https://hey@powerology.me/>

Website: <https://www.powerology.me/>

Instagram: **Powerology.me**

Facebook: **Powerology**