



Powerology

Square Qi2 Standard 15W iPh15

MagSafe Fast Charger

SKU: P15WMCPS

Table of Contents

Features	2
Operating Guide	2
Schematic View	3
Specifications	4
Attention	4
Warranty	5
Contact Us	5

Before installing and using the product, please carefully read this User Manual to guarantee correct usage and keep it secure for future reference.

Features

- 1.** Facilitates easier one-handed operation by securely holding the device in place.
- 2.** Integrates a semiconductor chilling plate and a cooling fan that activate when wireless charging begins, enhancing the efficiency by simultaneously cooling the charging coil and the phone surface. The chilling plate ceases operation once the phone is detached.
- 3.** Features a green RGB light that remains on to indicate the charger is powered but inactive.
- 4.** The fan's lights change colors progressively, and the light will turn off once the device is disconnected from the charger.
- 5.** the foreign object detection (FOD) feature automatically halts charging and prevents power output if metal or magnetic objects are detected on the charging surface.
- 6.** Offers robust defense against over-voltage, over-current, and short-circuits to ensure safe charging.

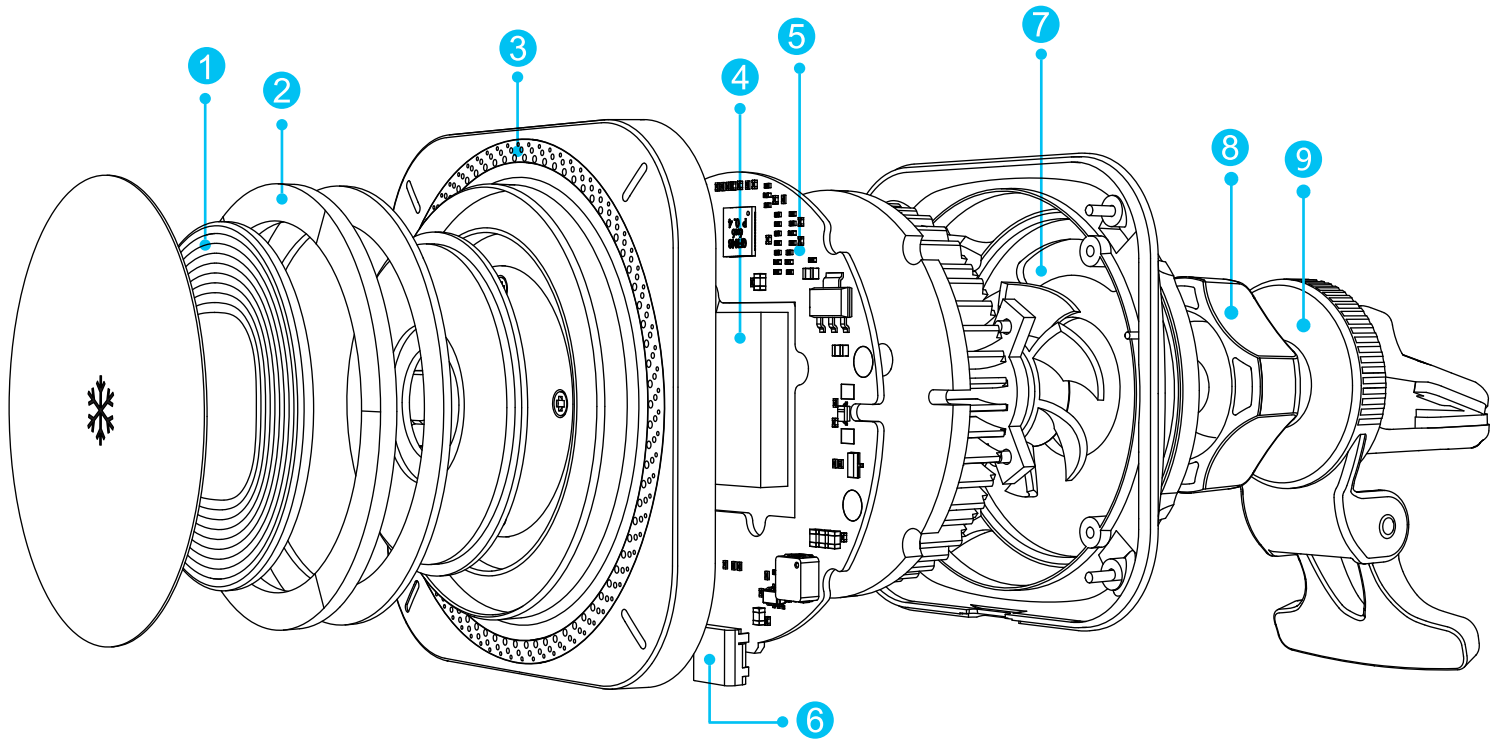
Operating Guide

- 1.** Ensure that the product is connected to the power source before use.
- 2.** Charging automatically stops if the current is excessively high or if foreign objects are detected on the charging surface. Avoid using wireless charging under these conditions.
- 3.** If your phone does not support wireless charging, consider purchasing a compatible wireless receiver module or case separately (not included with this product).

4. The input voltage range is 5V-12V. When the phone is placed on the charger, the semiconductor chilling plate activates and the cooling fan begins to rotate. Both the chilling plate and the fan will cease operation 30 seconds after the phone is removed.

5. It is advisable to use a phone case that is less than 2mm thick to maximize cooling effectiveness on the phone's back surface; thicker cases may diminish the cooling effect.

Schematic View



1. Charging Transmitter Coil	4. Electronic Refrigeration	7. Cooling Fan
2. Magnet	5. PCB	8. Knob
3. RGB Light	6. Type-C Charging Port	9. Vent Clip

Specifications

Material	ABS+ Tempered Glass
Input	9V/3A, 5V/2.2A
Wireless Output	5W, 15W
Charging Distance	≤10mm
Dimensions	71.7×45×71.7mm
Car Charger Input	DC 24-12V
Car Charger Output C1	5V/3A, 9V/2.25A, 12V/1.67A
Car Charger Output C2	5V/3A, 9V/2.25A, 12V/1.67A
Car Charger Total Output	20W + 20W

Attention

- 1.** Please avoid applying excessive force or causing impacts.
- 2.** Do not disassemble or expose the product to fire or water while it is powered on, to prevent short circuits or leaks.
- 3.** Avoid using the product in environments with extreme temperatures, high humidity, or corrosive substances to prevent damage from circuit leaks.
- 4.** Refrain from placing items with magnetic strips or chips, such as ID cards or bank cards, on the charging pad to prevent deactivation of the magnetic features.
- 5.** Please do not place metal objects, such as coins, on the charging pad during charging to avoid the risk of overheating and damage.

Note: This product is compatible with all Qi-standard wireless charging phones. Phones that do not support Qi-standard wireless charging will require an external receiver to utilize the wireless charging function.

Warranty

Products that you buy directly from our **Powerology** website or shop come with a 24-month warranty.

The 24-month warranty applies to products purchased directly from our **Powerology** website or store. If **Powerology** products are bought from any of our verified retailers, then the product is eligible for only a 12-month warranty. To extend your product's warranty, visit our website <https://powerology.me/warranty> and fill in your details in the provided form along with an uploaded picture of the product to process your request. Once approved, you will receive a confirmation email of the extended product warranty. Upload the required information within 48 hours of purchase to be eligible for a 24-month warranty period.

For more info, please check:

<https://www.powerology.me/warranty>

Contact Us

If you have any questions about this Privacy Policy, please contact us at: <https://hey@powerology.me/>

Website: <https://www.powerology.me/>

Instagram: **Powerology.me**

Facebook: **Powerology**