



**Powerology 22" Android SMART
SCREEN 128GB 6000mAh**

SKU: P21ATBLT

Table of Contents

Features	2
Warning	2
Caution	3
Button Function	4
Precautions	4
Safe Use Instructions	5
Specifications	6
Touch Screen	7
Package Contents	7
Product Installation	8
Battery	9
Power Switch	9
Notice	10
Warranty	11
Contact Us	11

Before installing and using the product, please carefully read this User Manual to guarantee correct usage and keep it secure for future reference.

Features

The Powerology tablet boasts integrated universal wheels, offering unmatched portability. This versatile screen adapts seamlessly to a variety of environments, including your living room, bedroom, kitchen, office, and even outdoor settings like campsites.

With enhancements that include extended battery life and innovative features such as multi-terrain projection and screen rotation capabilities, the Smart Mobile Screen liberates you from the constraints of cables. It promises a novel viewing experience that you can enjoy anytime, anywhere, right in the comfort of your chosen ambiance.

Warning

- 1** . Utilize only the power adapter accessories supplied by the original manufacturer.
- 2** . The ventilation and heat dissipation gaps and openings on the machine must remain unobstructed. Do not block or cover these areas.
- 3** . Refrain from using or storing this device in environments that are dusty, humid, or have high temperatures.
- 4** . In the event of a malfunction, do not attempt to disassemble or repair the device yourself.
- 5** . To prevent risks such as electric shock due to damaged insulation, avoid stepping on the power cord or power adapter.

- 6** .If the power adapter's lead is damaged, stop using the product immediately as it may pose hazards.
- 7** .Disconnect the power cord during thunderstorms or when the device will not be in use for extended periods.
- 8** .When in use, ensure the device is not positioned on the edge of a table or within easy reach of children to prevent the risk of the device falling or causing injury.
- 9** .Avoid exerting excessive force on the display screen during transportation. Do not come into contact with the screen using sharp or hard objects to prevent damage.
- 10**. To clean the device, use a soft cloth or one that is slightly dampened with a gentle detergent. Refrain from using solvents such as alcohol or gasoline, as they may harm the surface finish.
- 11** . Make sure that children are aware of the risks and dangers associated with climbing on this product. Falling or tipping over may lead to severe injury.
- 12**. Do not position the product where it is not stable or might tilt.
- 13**. Clean the product with a soft cloth or gently use a slightly damp cloth.

Caution

Use a soft cloth or a cloth slightly dampened with a mild detergent to clean the machine. Avoid using any type of solvent, such as alcohol or gasoline, as it may damage the surface treatment.



Button Function

Power button

Press to initiate shutdown; confirms screen off, shutdown , or restart.

Volume +

Increases system volume.

Volume -

Decreases system volume.



Precautions

- 1** . Please thoroughly review all instructions prior to using the product.
- 2** . When cleaning the mobile screen, be sure to unplug the power cord and use the power switch. Refrain from using liquid cleaning fluids or spray cleaners. Instead, gently wipe the screen with a soft, slightly damp cloth. If residues remain, a LCD-specific cleaner may be used.
- 3** . Avoid using accessories not endorsed by the manufacturer, as they could pose safety risks.
- 4** . To disconnect the power, first turn off the device, then grasp and pull the power plug, not the cord. Never touch the power plug with wet hands to prevent electric shock.
- 5** . This mobile screen must be powered with the specific type of power source indicated on its nameplate. Should you have any inquiries regarding the type of power supply or source, please contact us.

6 . Do not attempt to open or move the monitor's casing due to the risk of high voltage or other hazards. Should repairs be necessary, contact qualified maintenance professional.

7 . Unplug the device if:

a . The power cord or plug shows signs of damage.

b . The monitor has sustained a fall, or the casing is damaged.

c . The display shows an abnormal pattern, signifying maintenance may be required.

8 . Ensure the monitor is placed in a well-ventilated area, away from excessive light, high temperatures, or humidity.

9 . Store the monitor at a room temperature ranging from 0°C to 40°C. Operating outside of this temperature range may compromise device performance.

Safe Use Instructions

The monitor may tip over, potentially causing serious injury. Many such accidents, particularly involving children, can be prevented with these simple precautions:

1 . Always adhere to protocols suggested by manufacturer regarding the cabinet, shelf, or installation method of the monitor.

2 . Always use furniture that can safely support your monitor.

3 . Teach children about the risks of climbing on furniture and interacting with the monitor or its controls.

4 . Always organize wires and cables associated with the monitor to prevent them from being tripped over, pulled, or grabbed.

5 . Do not place the monitor in any position where it is unstable or tilted position.

- 6 . If placing the monitor on a piece of tall furniture, such as a cabinet or bookshelf, ensure that both the furniture and monitor are secured at the proper support points.
- 7 . Avoid placing the monitor on any soft surface, like a cloth, that could interfere with the stability of the supporting furniture.
- 8 . Refrain from leaving toys, remote controls, or any other items nearby that might tempt children to climb on the monitor or its supporting furniture.
- 9 . If you are moving or re-installing an existing monitor, apply the same precautions listed above.

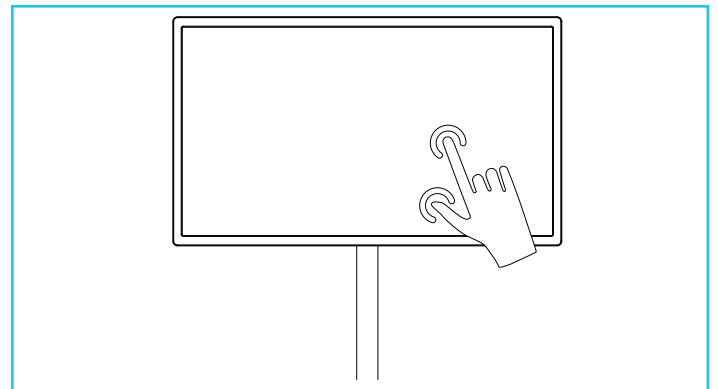
Specifications

CPU	Octa core / 4*ARM Cortex A73 @2.0GHz / 4*ARM Cortex A53 @2.0GHz
RAM	6GB
Memory	128GB
Operating System	Android 12
Display	22"
Resolution	1080*1920 IPS
Touchscreen	0-Point capacitive touch screen
Screen Ratio	16:9
Wi-Fi	Support Wi-Fi connection
Multi-Touch	10 Points
Brightness	250 to 300 cd/m
Color GAMUT	100 % SRGB
Refresh Rate	60Hz
Microphone Input	Supports external microphone input
Type-C	Supports full functions (Except for charging function)

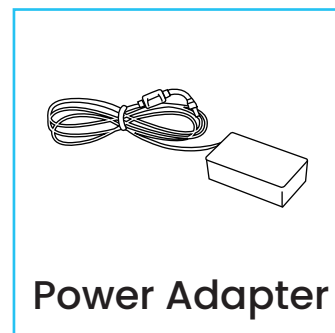
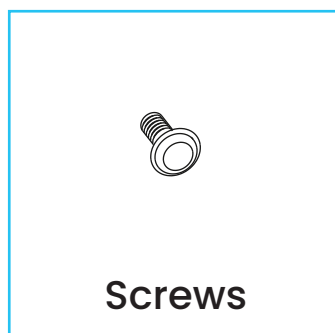
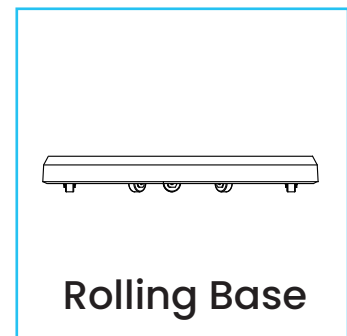
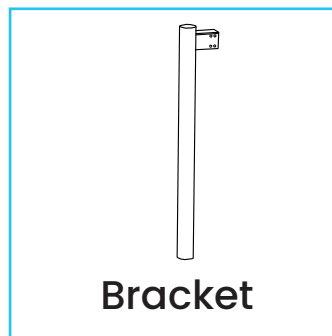
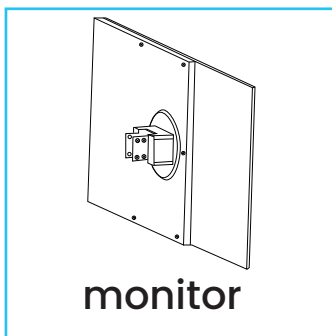
Screen Casting Function	Wireless screen mirroring, Android wired screen mirroring
Button	Power / Volume + / Volume -
Gravity Sensor	Supports 90
Speaker	Built-in speakers 4Ω 3W*2
Microphone	Noise reduction MIC 4015
Power Supply Type	12V / 6000mAh
Power Adapter	12V / 2A
Bracket Type	Removable base, 360° rotation adjustment
Operating Temperature	0° C to 50°C

Touch Screen

Features an INCELL full HD ten-point capacitive touch LCD display. For optimal clarity, regularly clean your screen.



Package Contents



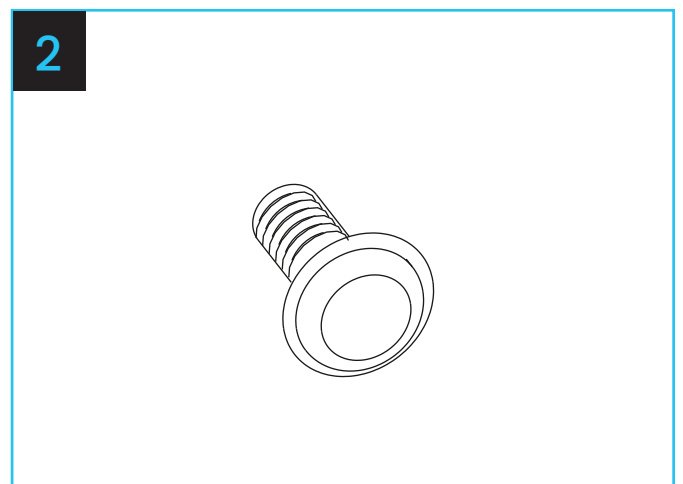
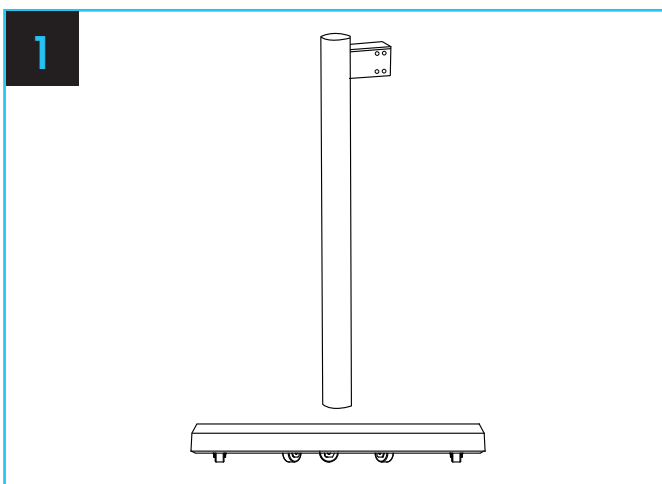
Note: If any items are missing or damaged, refrain from using the product. Retain all packaging materials for potential future use.

Product Installation

- 1** . Ensure the bracket fixing screws are securely tightened during assembly. A loose bracket could lead to product damage or personal injury.
- 2** . Given the product's weight, it is recommended that at least two individuals collaborate during the unpacking and installation process.
- 3** . Refrain from applying any foreign substances, such as oil or lubricant, to the screws during assembly.
- 4** . Once the product is installed, the cable holder and screws should not be removed.

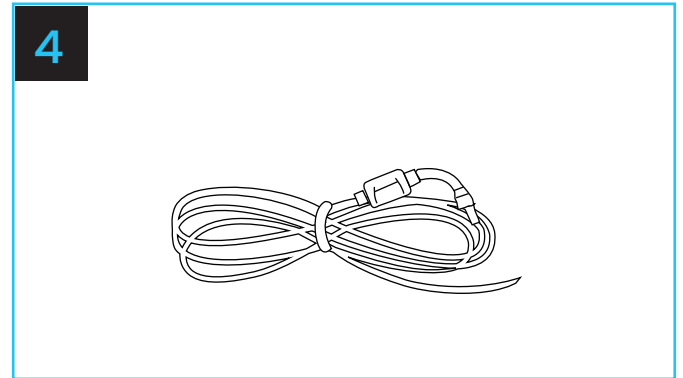
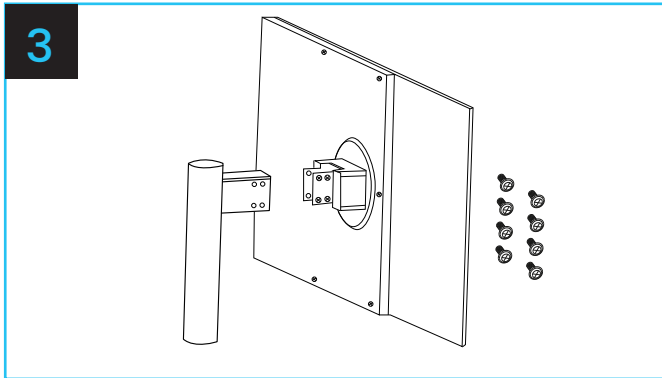
Step 1: Open the packaging box, remove the bracket and base. Align the rolling base's position, and securely insert the bracket.

Step 2: Locate the designated screw hole for the screen bracket at the bottom of the chassis. Insert and securely fasten the screw.



Step 3: Remove the monitor from the packaging box, attach it to the bracket, and tighten the 8 fixing screws.

Step 4: A power cord connects the screen to the internal battery. Manually connect this interface, close the compartment cover, and commence operation.






Battery

The product holder is equipped with an integrated battery, which allows for autonomous operation for a certain duration without the need for connection to an external power source. The battery level will be indicated by a sequence of four lights that diminish sequentially to represent the remaining charge. The battery LED will illuminate progressively during the charging process or to signify when a recharge is necessary.

Power Switch



-  **A.** Sufficient power
-  **B.** Moderate power
-  **C.** Low power

Notice

- 1.** Charging the device typically requires approximately 4 hours during use, whereas utilizing the fast-charging feature can reduce this time to about 2 hours when the device is powered off.
- 2.** The duration of both the battery life and usage after charging will gradually diminish in correlation with the cumulative length of product utilization.
- 3.** Please note that the battery cannot be charged in extreme environmental conditions.
- 4.** When in standby mode, expect a natural decrease in the remaining battery power.
- 5.** To maximize battery longevity, it is advisable to charge the battery after some usage instead of persistently maintaining a full charge.
- 6.** Maintaining battery power at 50 % helps extend battery life.
- 7.** After charging, the battery can sustain long-term usage, with a maximum duration of 5 hours before recharging is needed.
- 8.** The usage times specified in this manual are based on laboratory values; actual usage time may vary due to operational conditions.
- 9.** The battery's usage time is subject to variations caused by several factors, such as ambient temperature, usage frequency, and the settings of the connected device.

Warranty

Products that you buy directly from our **Powerology** website or shop come with a 24-month warranty. The 24-month warranty applies to products purchased directly from our **Powerology** website or store. If **Powerology** products are bought from any of our verified retailers, then the product is eligible for only a 12-month warranty. To extend your product's warranty, visit our website <https://powerology.me/warranty> and fill in your details in the provided form along with an uploaded picture of the product to process your request. Once approved, you will receive a confirmation email of the extended product warranty. Upload the required information within 48 hours of purchase to be eligible for a 24-month warranty period.

For more info, please check:
<https://www.powerology.me/warranty>

Contact Us

If you have any questions about this Privacy Policy, please contact us at: <https://hey@powerology.me/>

Website: <https://www.powerology.me/>

Instagram: **Powerology.me**

Facebook: **Powerology**