



Powerology

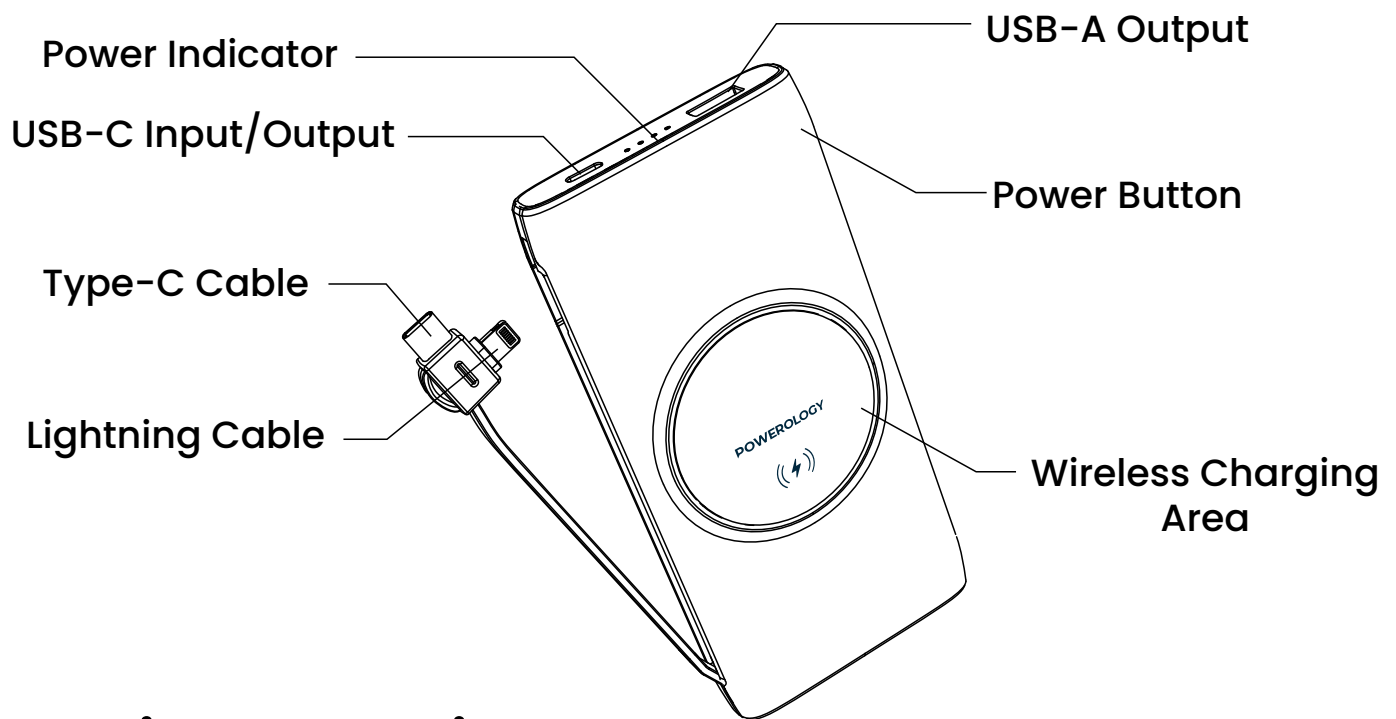
**10000mAh 35W
Power Bank MOBO**

SKU: PPBCHA1041

Before installing and using the product, please carefully read this User Manual to guarantee correct usage and keep it secure for future reference.

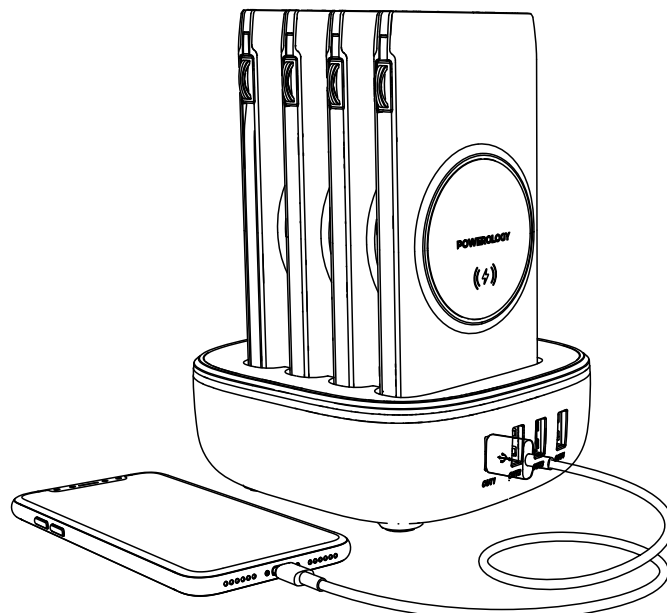
◀ Schematic View

This device incorporates a built-in cable. The schematic view of the device is depicted as follows:

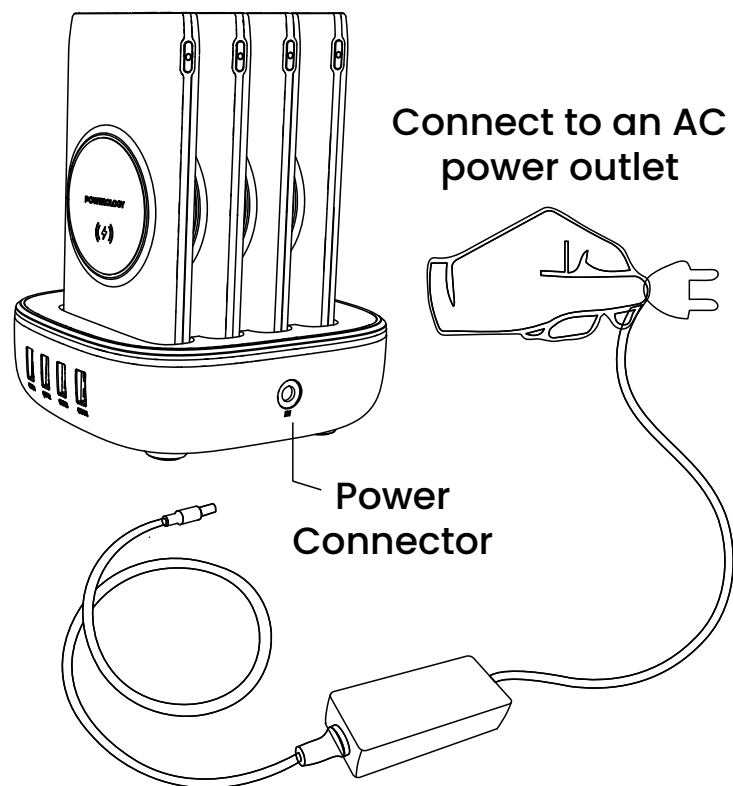


◀ Charging Instructions

1. Use the USB dock to charge your electronic devices including a smartphone or a tablet.



2. Charging the station



Specifications

Battery Type	Lithium-Polymer Batteries
Capacity	10000mAh, 3.7V (37Wh)
Rated Capacity	6000mAh, 3.7V (22.2Wh)
Type-C Input	5V/3A, 9V/2A, 12V/1.5A
USB-A Input	5V/2A, 9V/2A
Type-C Output	5V/2.4A, 9V/2.2A, 12V/1.67A (PD 20W)
USB-A Output	5V/2.4A, 9V/2A (SCP)
Wireless Output	5W/7.5W/10W/15W
Type-C/Lightning Cable Output	5V/2.4A
Power Bank Size	7.48 x 1.61 x 1.83 cm
Station Size	132.5 x 115.6 x 45.8 mm
Weight (Station + Power Packs)	1.87 kg

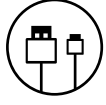
⏪ Attention



1. To extend the battery's lifespan, ensure it is used and recharged at least once every four months.



2. Do not disassemble the device.



3. Utilize only original or officially certified cables.



4. Avoid exposing the device to any liquids.

⏪ Warranty

Products that you buy directly from our **Powerology** website or shop come with a 24-month warranty.

The 24 months warranty applies to products purchased directly from our Powerology website or store. If **Powerology** products are bought from any of our verified retailers, then the product is eligible for only 12 months warranty. To extend your product's warranty, visit our website <https://powerology.me/warranty> and fill your details in the provided form along with an uploaded picture of the product to process your request. Once approved, you will receive a confirmation email of the extended product warranty. Upload the required information within 48 hours of purchase to be eligible for 24 months of warranty period.

For more info, please check:

<https://www.powerology.me/warranty>

⏪ Contact Us

If you have any questions about this Privacy Policy, please contact us at: <https://hey@powerology.me/>

Website: <https://www.powerology.me/>

Instagram: **Powerology.me**

Facebook: **Powerology**