



4 In 1 180° Foldable Car Vacuum Cleaner

SKU: PW4N1FCVWH

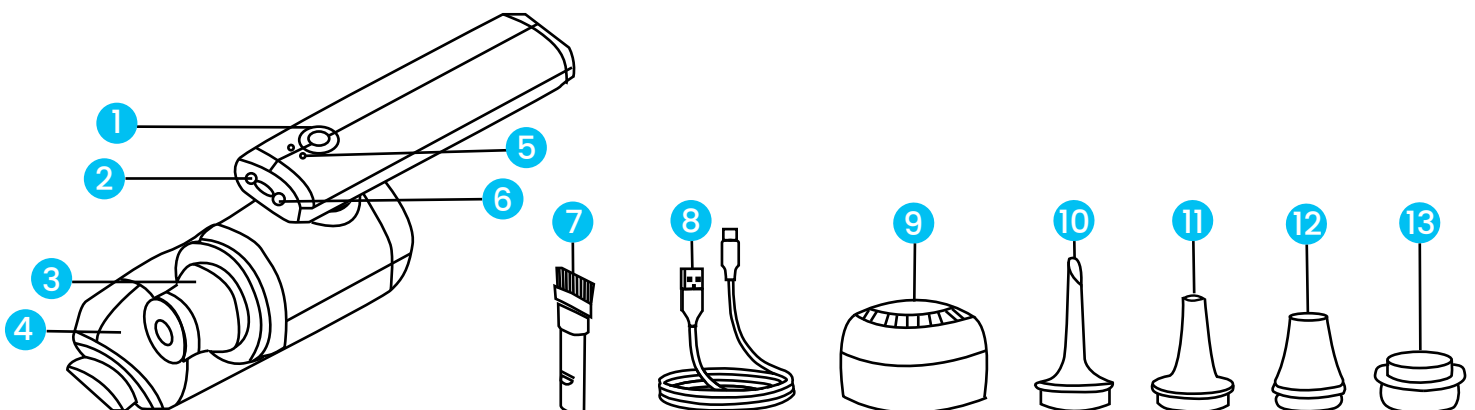
Thank you for purchasing our product. Before installing and using the product, please carefully read this User Manual to guarantee correct usage and keep it secure for future reference. If you have further inquiries, do not hesitate to contact us.

⚠ Warning: Avoid exposing this product to open flames or high-temperature environments to prevent the risk of ignition or explosion.

◀ Maintenance and Cleaning

1. Avoid direct sunlight exposure to this product to prevent damage.
2. Refrain from using this product in areas of high humidity, such as bathrooms, to avoid damage.
3. This product is not waterproof. Avoid cleaning with water.
4. Do not clean the surface with chemical agents like alcohol, thinner, or benzene to prevent surface damage.
5. Accumulated dirt in the socket can lead to poor connectivity, power failures, and charging issues. Regular cleaning is advised.
6. Utilize only a charger that is certified by a reputable brand to ensure safety and compatibility.
7. In the event of a quality issue, please refrain from attempting to disassemble the product yourself.

◀ Schematic View



1. Power Button

Short-press to turn ON/OFF the LED light.

Long-press for 3 seconds to turn ON the device.

Short-press to turn the device OFF.

2. LED Indicator

3. HEPA

4. Dust Bin

5. Charging Indicator

6. Type-C Charging Port

7. 2 in 1 Combined Flat

8. USB Charging Cable

9. Vacuum Front Cover

10. 6mm Nozzle

11. 9mm Nozzle

12. 18mm Nozzle

13. 32mm Nozzle (Inside diameter: 29mm)

Charging Instructions

This product is compatible with a Type-C USB cable for charging. Insert one end of the cable into the charging port located at the base of the handle. Connect the other end to a power adapter rated at 5V/2A output.

Features

Featuring a high-velocity turbine with a pure copper core motor, this product boasts formidable suction capabilities that effortlessly remove dust, debris, paper scraps, peelings, and soot. Its compact design enhances portability, while the handle's 180-degree rotation facilitates cleaning in challenging corners. Additionally, a built-in flashlight at the front casts light into the darkest nooks for thorough visibility.

1. The handle is designed to rotate 180 degrees, ensuring ease of operation.

2. The dust box features a transparent design to prevent spills when the unit is tilted.

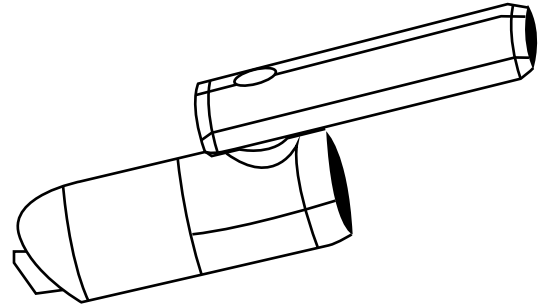
3. This device is wireless and portable, making it ideal for use both at home and in vehicles.

4. Its compact size coupled with robust suction power makes it convenient for transport and storage.

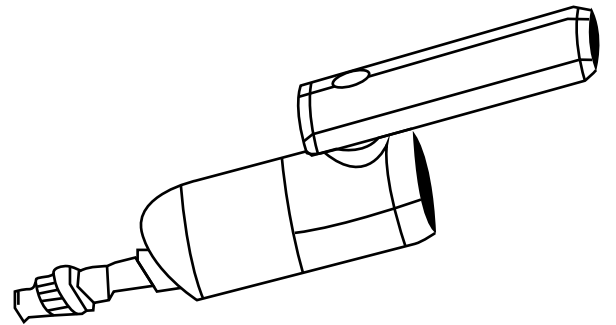
5. The filter is washable and can be reused multiple times.

◀ Nozzle Selection and Attachment

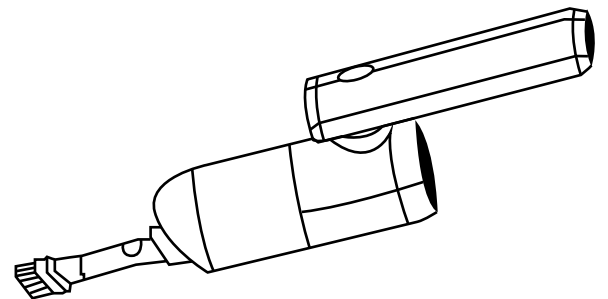
1. **Wide Nozzle:** Designed for efficient cleaning, this attachment effectively removes dust, fur, and hair from spacious areas such as between mattresses, sofas, and along windowsills.



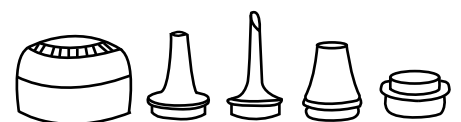
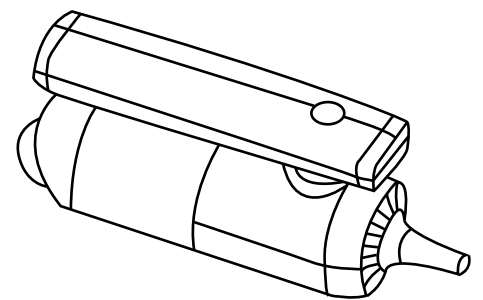
2. **Flat Long Nozzle:** This attachment is optimal for reaching into slim, confined spaces including car door pockets, seat crevices, cup holders, and the narrow areas around window sills in your home.



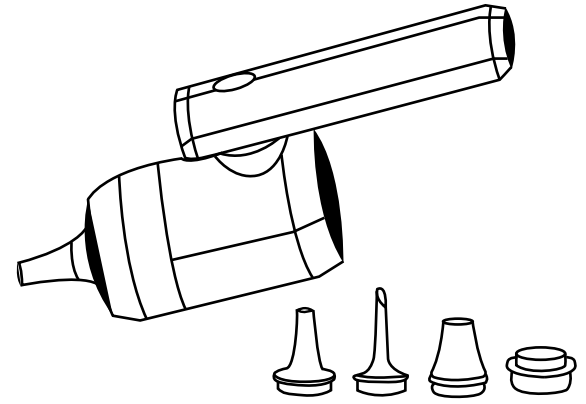
3. **Brush Nozzle:** Appropriate for purifying lamps, keyboards, and the air vents of the center console in automobiles.



4. **Inflate using the vacuum:** Equipped with four distinctive nozzle designs, this versatile tool can function as a mini air blower, and inflator. Select the ideal nozzle to inflate objects such as swimming rings, air mattresses, and balloons. Additionally, it effectively removes dust and debris from the crevices of keyboards, phones, and computers.

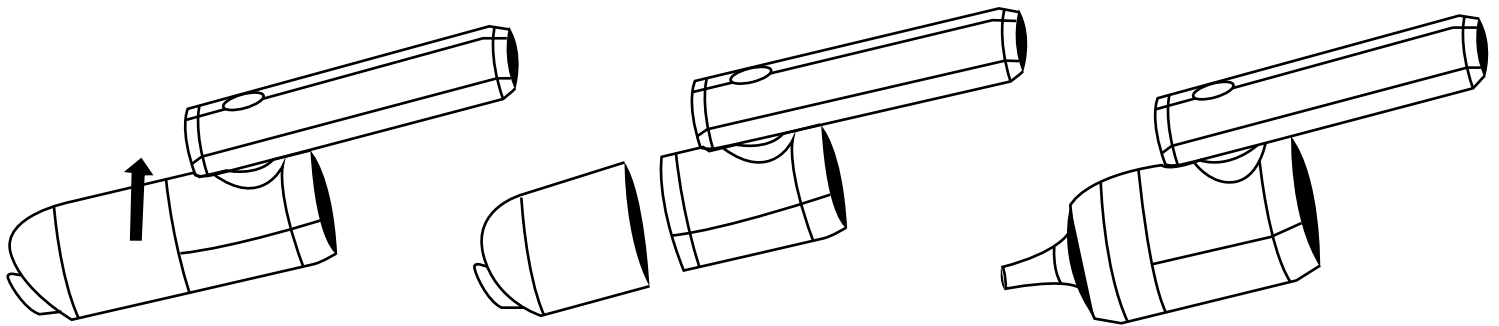


5. Vacuum Pumping: This device is outfitted with four uniquely shaped nozzles. Choosing the correct nozzle shape facilitates the use of vacuum bags, allowing the inflation of swimming rings, air mattresses, balloons, air cushions, and inflatable toys.



◀ Vacuum Nozzle Installation

1. Detach the dust bin from the handle.
2. Replace it with the circular vacuum cap.
3. Select the appropriate nozzle and affix it to the cap.



◀ Specifications

Battery Capacity	2000mAh *2 (4000mAh)
Motor	60W High speed turbine pure copper core large motor power
Dust Bin Capacity	150ml
Operating Time	About 25min
Charging Mode	Type-C charging cable
Suction	About 5500Pa

Product Size	87×60×169mm
Net. Weight	412gr
Voltage and Current	5V / 2A
Charging Time	About 2.5hr
Flashlight	Double LED light
Pilot Lamp	Charge indicator/ Power Indicator

Warranty

Products that you buy directly from our **Powerology** website or shop come with a 24-month warranty.

The 24 months warranty applies to products purchased directly from our Powerology website or store. If **Powerology** products are bought from any of our verified retailers, then the product is eligible for only 12 months warranty. To extend your product's warranty, visit our website <https://powerology.me/warranty> and fill your details in the provided form along with an uploaded picture of the product to process your request. Once approved, you will receive a confirmation email of the extended product warranty. Upload the required information within 48 hours of purchase to be eligible for 24 months of warranty period.

For more info, please check:

<https://www.powerology.me/warranty>

Contact Us

If you have any questions about this Privacy Policy, please contact us at: <https://hey@powerology.me/>

Website: <https://www.powerology.me/>

Instagram: **Powerology.me**

Facebook: **Powerology**