

**porodo**  
LIFESTYLE

**1000**  
LUMENS

High Brightness



**Magnetic 4000mAh  
Outdoor Lamp  
With Phone Charging Output**

Model: PD-LS4KPBCL

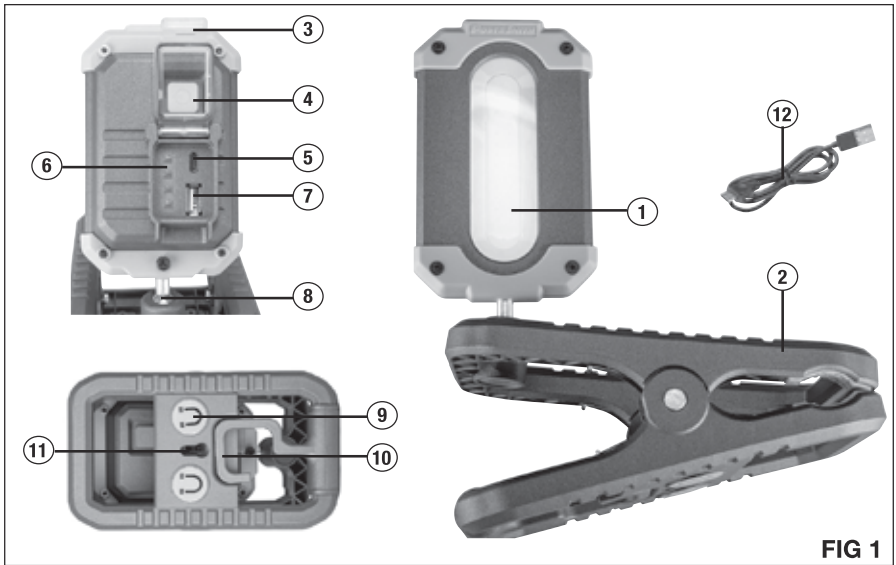


FIG 1



FIG 2

## PRODUCT OVERVIEW

**REFER TO FIG 1**

- |                            |                     |
|----------------------------|---------------------|
| 1. LED Light Panel         | 7. USB Power Output |
| 2. Clamp Base              | 8. Ball Joint       |
| 3. Clear Cover             | 9. Magnets          |
| 4. Switch Button           | 10. Hanging Hook    |
| 5. Charging Port           | 11. Keyhole Slot    |
| 6. Battery Power Indicator | 12. Charging Cable  |

## SPECIFICATIONS

Model .....PWL R010CM  
 Brightness .....1000/500/250 Lumens  
 Color Temperature .....5000K Bright White  
 Runtime .....2/4/8 Hours  
 Battery .....Lithium-Ion 3.7V, 4.0Ah  
 USB Output .....5V, 2A  
 Recharge Time .....2-3 Hours  
 Net Weight .....1.0 lb

## UNPACKING CONTENTS

**Important!** Due to modern mass production techniques, it is unlikely the product is faulty or that a part is missing. If you find anything wrong, do not operate the tool until the parts have been replaced or the fault has been rectified. Failure to do so could result in serious personal injury.

### CONTENTS IN PACKAGE

Description	Quantity
Clamp Light	1
USB Charging Cable	1
Manual	1

## IMPORTANT SAFETY INSTRUCTIONS

READ AND UNDERSTAND ALL WARNINGS, CAUTIONS AND OPERATING INSTRUCTIONS BEFORE USING THIS EQUIPMENT. Failure to follow all instructions listed below may result in electric shock, fire and/or serious personal injury.

## IMPORTANT SAFETY INSTRUCTIONS

- **Always unplug the charger/adaptor from the light** and power source when not in use.
- **Do not look directly at the lighted lamps** to avoid eye injuries.
- **Always keep the work light away from any flammable surface or materials.**
- **Always check damaged or worn-out parts** before using the work light. Broken parts will affect the work light operation. Replace or repair damaged or worn parts immediately. If repairs are needed, consult a professional electrician.
- **Do not use a pressure washer to clean this product.**
- **Do not modify the work light in any way.** Unauthorized modification may impair the function and/or safety and could affect the life of the product. There are specific applications for which the work light was designed.
- **Store work light in a secure place out of the reach of children.** Inspect it for good working condition prior to storage and before re-use.

**⚠ WARNING:** This LED light is powered by a Lithium-ion battery. Lithium-ion batteries are small, compact, and ideal for providing long-lasting power to this product. However, they must be used and charged properly. Improper use can result in serious injury, fire, or death.

**CAUTION:** This product comes with a battery installed internally. Do not attempt to remove the battery from the product.

- Do not place this lithium-ion battery-powered product in fire or apply heat to it.
- Do not apply strong impact or shocks to this lithium-ion battery-powered product.
- Do not allow the lithium-ion battery to get wet.
- Do not leave this lithium-ion battery-powered product in the direct sunlight, or use or store it inside cars in hot weather. Doing so may cause the battery to generate heat, rupture, or ignite. Using the battery in this manner may also result in a loss of performance and a shortened battery life.
- **NEVER THROW WATER ON A BURNING LITHIUM-ION BATTERY!** If a lithium-ion battery does catch on fire, it will burn even more violently when contacted with water.
- Store the product at temperatures between 41°F and 77°F (5°C and 25°C).
- Properly dispose of all batteries at a recycling center or per local code. More information regarding battery disposal in U.S. and Canada is available at; <http://www.rbrcc.org/index.html>, or by calling 1-800-822-8837 (1-800-8BATTER).

## OPERATION

### CHARGING THE LIGHT

The light can be recharged by connecting the included USB charging cable to a USB power output, such as a cellular phone power adaptor or laptop USB port.

1. Make sure the light is turned off.
2. Lift the clear cover (3) to access the charging port (5).
3. Connect the USB-C (small) end of the charging cable to the charging port and connect the USB end to a standard 5V USB power output.

## OPERATION

4. The battery power Indicator lights (6) will illuminate blue to display the battery power level. One of the indicator lights will be flashing if charging is in progress.
5. When charging is complete, all four indicator lights will be solid blue.

### SWITCH BUTTON

Press the switch button (4) to turn the light On. Additional presses cycle through the light settings in the following sequence.

High - Medium - Low - Off

If the light is left on any setting for more than 10 seconds, the next press of the switch button will turn the light off.

### BATTERY POWER INDICATOR

The light has a battery power indicator (6). It consists of 4 blue lights. To indicate the battery power level, power the light on. More illuminated blue lights indicate more battery power remaining.

### USB POWER OUTPUT

The light has a USB power output (7) to charge other portable devices using the appropriate USB cable.

### LED LIGHT PANEL

The light panel (1) swivels on a ball joint (8) for additional versatility in light positioning. It folds for easy transportation and storage.

### MAGNETIC CLAMP BASE

This light features a magnetic clamp base (2) with a hanging hook (10) and a keyhole slot (11). It can be clamped to an object as thick as 1-1/2". Refer to FIG 2 for application examples.

## MAINTENANCE

**⚠ WARNING:** Always make sure the light is unplugged and completely cool before attempting to clean it.

Your light requires very little care and maintenance. Simply clean the lens regularly with a non-abrasive cleaner.

## WARRANTY

This product is warranted free from defects in material and workmanship for **2 (TWO)** years after date of purchase. This limited warranty does not cover normal wear and tear or damage from neglect or accident. The original purchaser is covered by this warranty and it is not transferable. Prior to returning your product to store location of purchase, please call the Toll-Free Help Line for possible solutions.

For more information, please contact our support team [support@porodo.net](mailto:support@porodo.net)

Made in China  
FCC CE RoHS

